

NOTE:- THIS DRAWING SUPERCEDES STANDARD CABLE TRENCH DRAWINGS (DRG. NO.: C/ENGG/STD/CT/01 TO 05)

- GENERAL NOTES:
1. ALL DIMENSIONS ARE IN MM. UNLESS NOTED OTHERWISE.
 2. DO NOT SCALE THE DRAWING, ONLY WRITTEN DIMENSIONS TO BE FOLLOWED.
 3. LAP LENGTH SHALL BE 47 TIMES DIA. OF BAR.
 4. PROVIDE CLEAR COVER TO REINFORCEMENT AS UNDER.
 5. 25MM FOR INNER SIDE OF CABLE TRENCH.
 6. 50MM FOR OUTER SIDE AND BOTTOM OF CABLE TRENCH.
 7. ALL R.C.C. SHALL BE AS PER D.D.C. STANDARDS UNLESS NOTED OTHERWISE.
 8. LIFTING HOOK SHALL BE PROVIDED IN EVERY TENTH COVER SLAB.
 9. NECESSARY OPENINGS SHALL BE PROVIDED AT APPROPRIATE LOCATIONS TO TAKE OUT CABLES.
 10. FOR ACTUAL DEPTH OF TRENCHES REFER APPROVED CABLE TRENCH LAYOUT.
 11. F.G.L. DENOTES FINISHED GROUND LEVEL.
 12. ALL CABLE TRENCHES SHALL HAVE A SLOPE OF 1:1000 IN THE DIRECTION OF MAIN RUN AWAY FROM THE BUILDING.
 13. EARTHING CONDUCTOR 'E' 50x6 M.S. FLAT SHALL BE WELDED TO THE CABLE SUPPORTING STRUCTURE BEFORE INSTALLATION OF CABLE. EARTHING CONDUCTOR 'E' SHALL BE PROVIDED ON THE TOP TIER OF EACH CABLE TRENCH SECTION.
 14. ALL STEEL STRUCTURES PLATES SHALL BE PAINTED WITH ANTI-CORROSION PAINT TO AN EVEN SHADE TWO OR MORE COATS OVER A COAT OF SUITABLE STEEL PRIMER BEFORE INSTALLATION OF CABLES AND EARTHING CONDUCTOR SHALL BE PAINTED RED.
 15. CONSTRUCTION JOINT SHALL BE PROVIDED AT 30M OR AS PER SITE REQUIREMENT BUT NOT EXCEEDING 30M.
 16. ALL SUPPORT ANGLES SHALL BE 50x50x6.
 17. ANCHORING FLAT (75x6) SHALL BE PROVIDED AT EACH SUPPORT ANGLE POINT.
 18. IN CASE EXPANSIVE SOIL IS ENCOUNTERED AT FOUNDING LEVEL, IT SHALL BE REMOVED TO A MINIMUM DEPTH OF 300 MM AND SHALL BE REPLACED BY WELL COMPACTED LOCALLY AVAILABLE C.N.S. MATERIAL OR LOCAL SAND.
 19. ALL REINFORCEMENT STEEL BARS SHALL BE TMT OR HYSD BARS CONFORM TO IS:1786-1985 OF GRADE Fe500

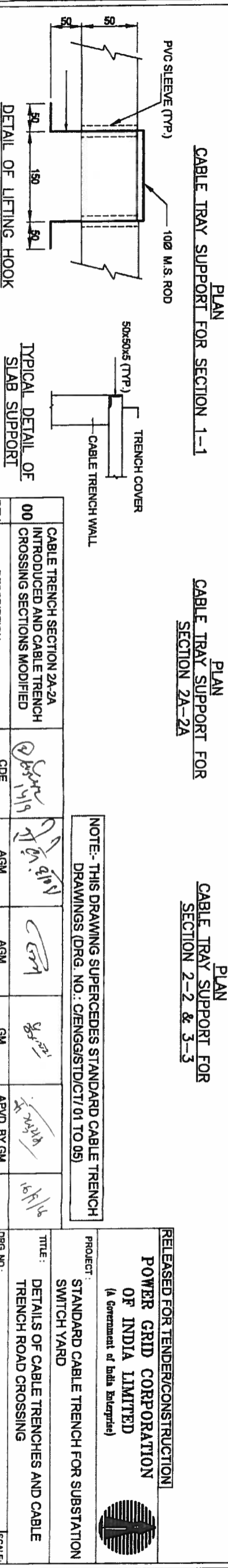
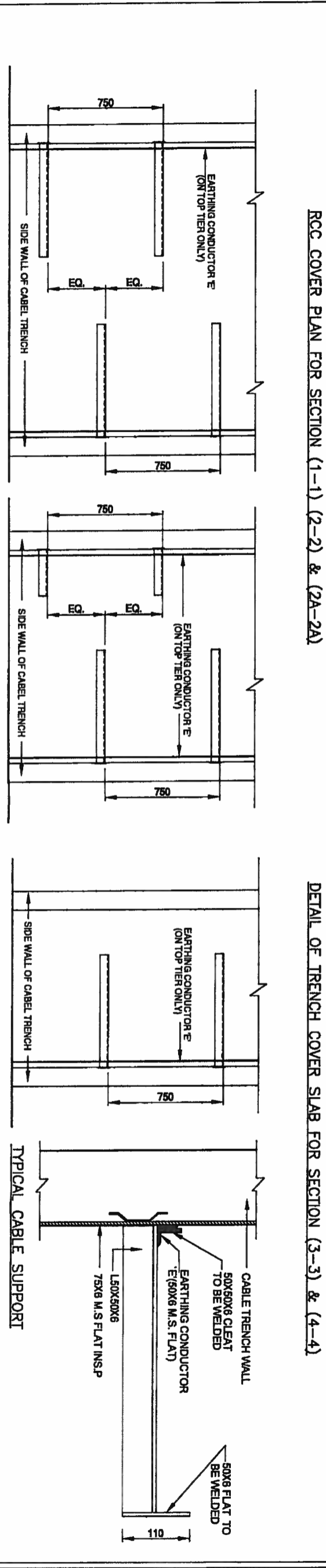
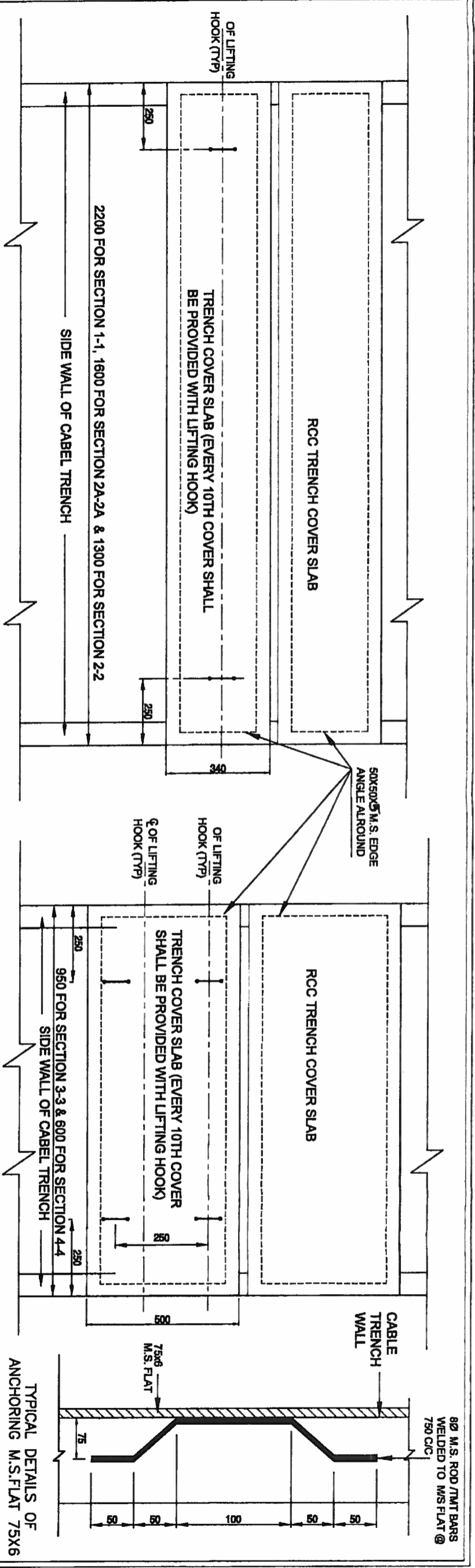
REV	DESCRIPTION	CDE (ENGG-CIVIL)	AGM (ENGG-CIVIL)	AGM (ENGG-S/S)	GM (ENGG-S/S)	APVD. BY GM (ENGG-CIVIL)	DATE	DRG. NO.	SCALE
00	CABLE TRENCH SECTION 2A-2A INTRODUCED AND CABLE TRENCH CROSSING SECTIONS MODIFIED						16/10/16	C/ENGG/STD/2016/RCT/01 (Sheet 01 of 04)	NTS

RELEASED FOR TENDER/CONSTRUCTION

POWER GRID CORPORATION OF INDIA LIMITED
(A Government of India Enterprise)

PROJECT: STANDARD CABLE TRENCH FOR SUBSTATION SWITCH YARD

TITLE: DETAILS OF CABLE TRENCHES AND CABLE TRENCH ROAD CROSSING



REV	DESCRIPTION	CDE (ENGG-CIVIL)	AGM (ENGG-CIVIL)	AGM (ENGG-SIS)	GM (ENGG-SIS)	APVD. BY GM (ENGG-CIVIL)	DATE	DRG NO.	SCALE
00	CABLE TRENCH SECTION 2A-2A INTRODUCED AND CABLE TRENCH CROSSING SECTIONS MODIFIED							CI/ENGG/STD/2016/RCT/01 (Sheet 02 of 04)	NTS

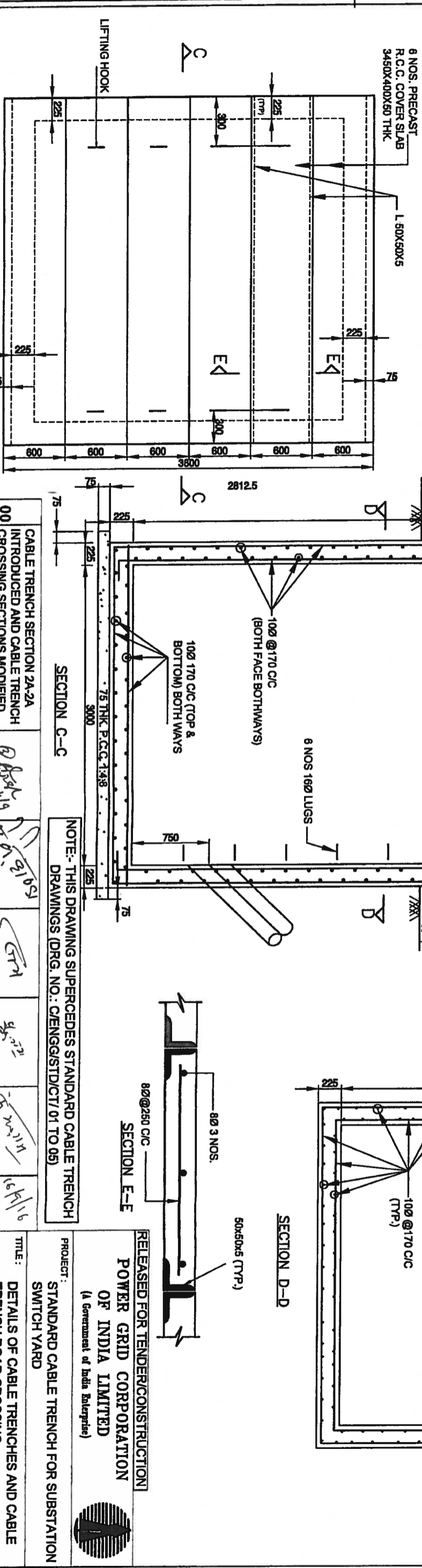
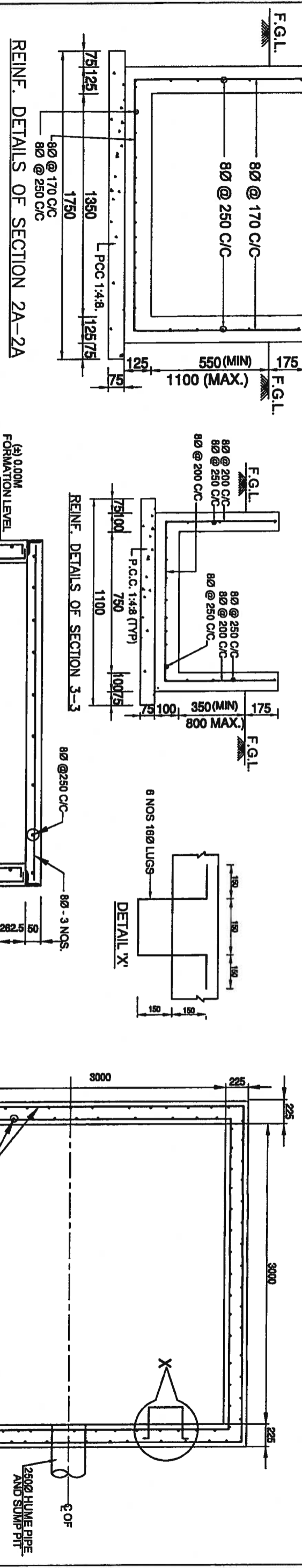
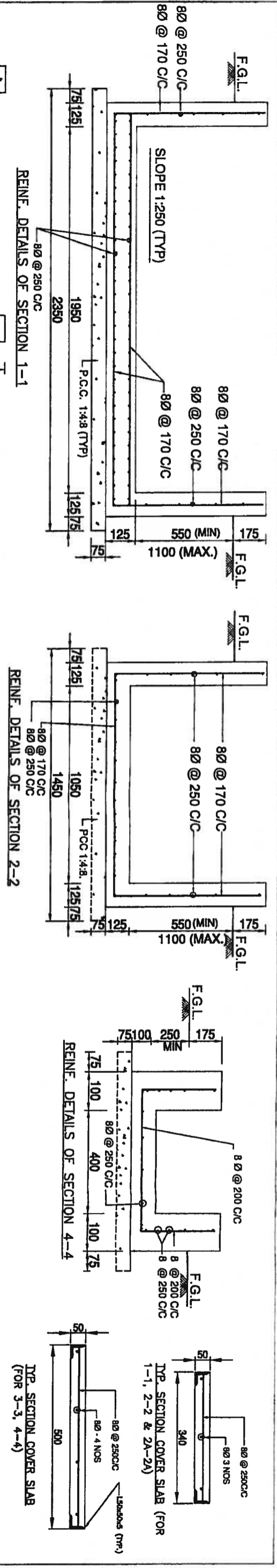
NOTE:- THIS DRAWING SUPERCEDES STANDARD CABLE TRENCH DRAWINGS (DRG. NO.: CI/ENGG/STD/CT/01 TO 05)

RELEASED FOR TENDER/CONSTRUCTION
POWER GRID CORPORATION OF INDIA LIMITED
 (A Government of India Enterprise)

PROJECT: STANDARD CABLE TRENCH FOR SUBSTATION SWITCH YARD

TITLE: DETAILS OF CABLE TRENCHES AND CABLE TRENCH ROAD CROSSING

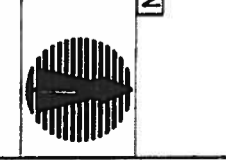
DRG NO.: CI/ENGG/STD/2016/RCT/01 (Sheet 02 of 04)



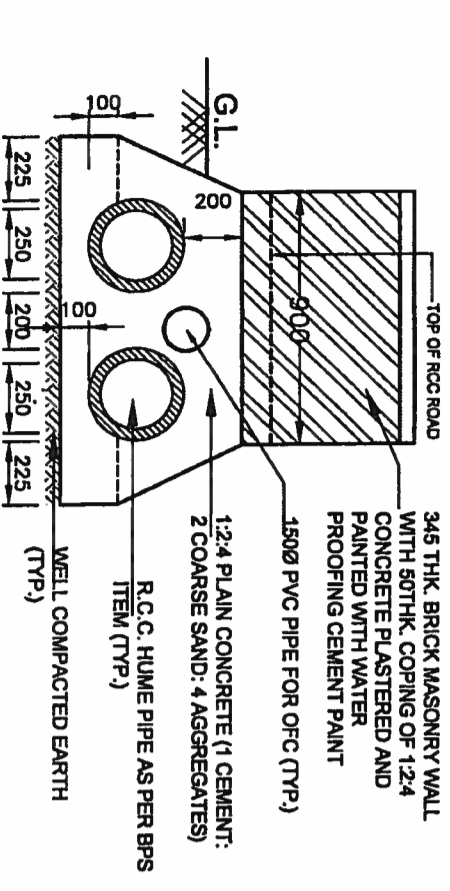
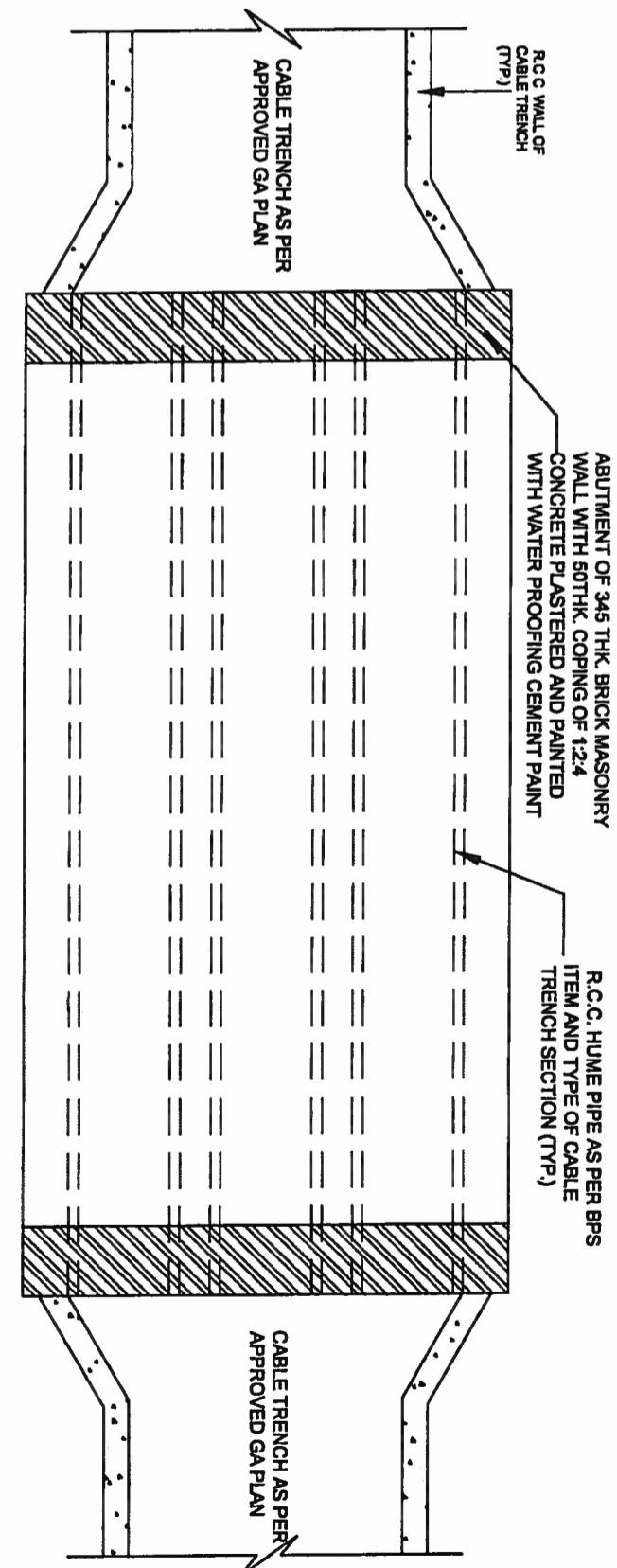
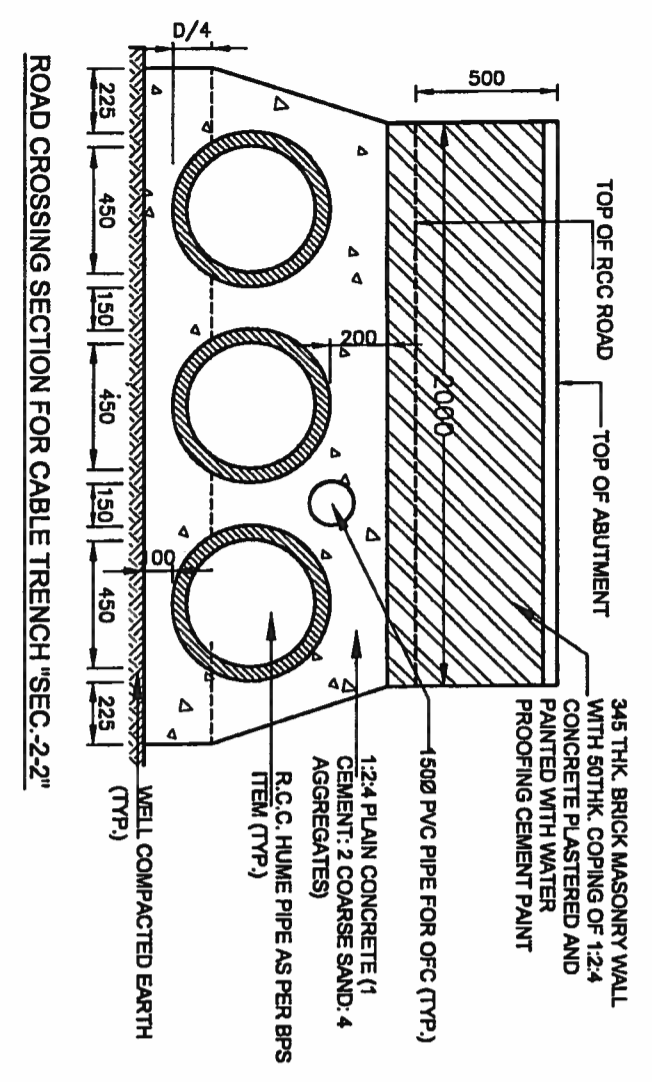
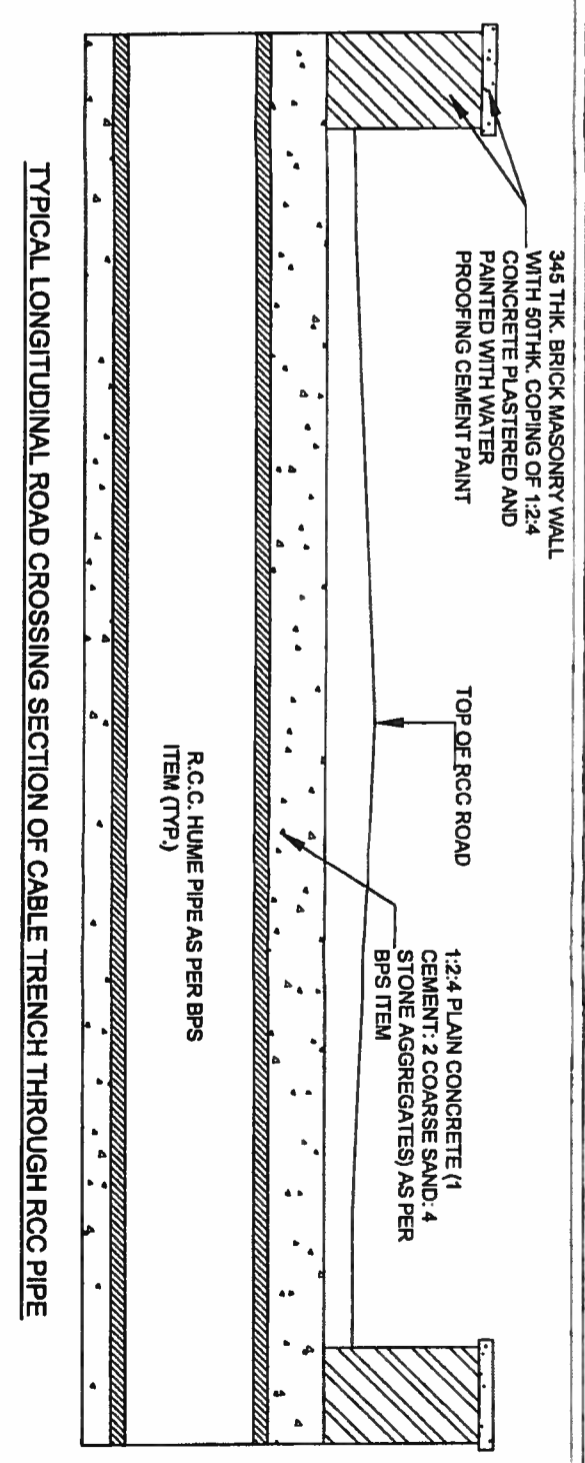
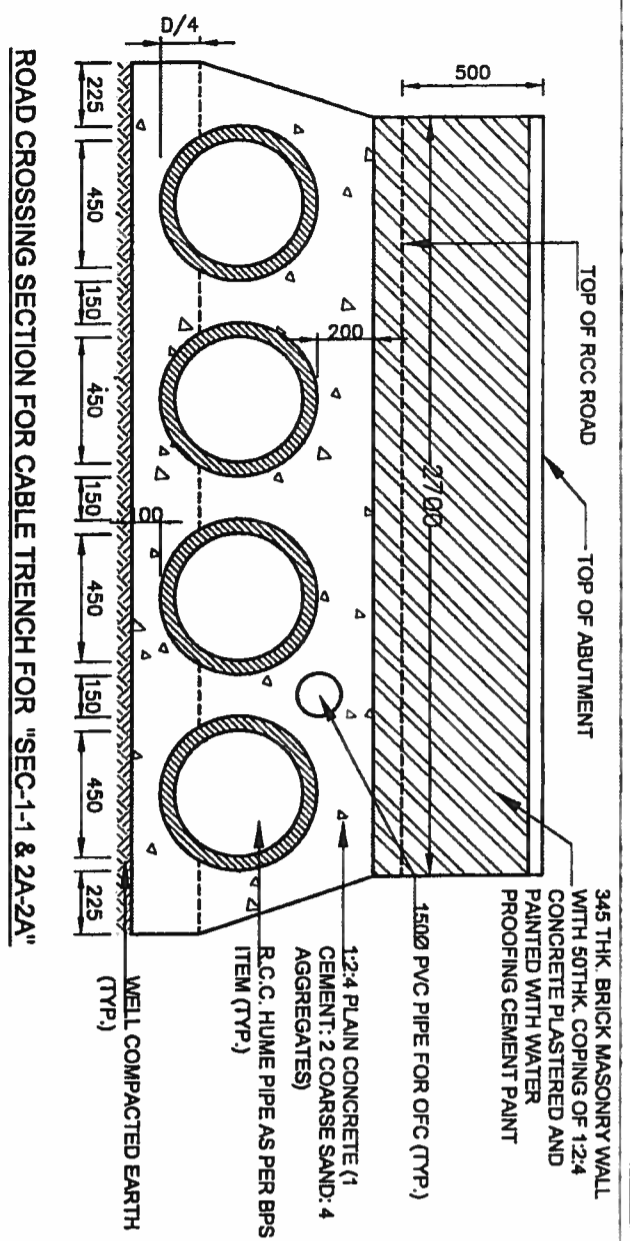
REV	DESCRIPTION	CDE (ENGG-CIVIL)	AGM (ENGG-CIVIL)	AGM (ENGG-S/S)	GM (ENGG-S/S)	APVD. BY GM (ENGG-CIVIL)	DATE	DRG. NO.	SCALE
00	CABLE TRENCH SECTION 2A-2A INTRODUCED AND CABLE TRENCH CROSSING SECTIONS MODIFIED						16/1/16	C/ENGG/STD/2016/RCT/01 (Sheet 03 of 04)	NTS

NOTE:- THIS DRAWING SUPERCEDES STANDARD CABLE TRENCH DRAWINGS (DRG. NO.: C/ENGG/STD/CT/01 TO 05)

PROJECT: STANDARD CABLE TRENCH FOR SUBSTATION SWITCH YARD
 TITLE: DETAILS OF CABLE TRENCHES AND CABLE TRENCH ROAD CROSSING



RELEASED FOR TENDER/CONSTRUCTION
 POWER GRID CORPORATION OF INDIA LIMITED
 (A Government of India Enterprise)



NOTE:- THIS DRAWING SUPERCEDES STANDARD CABLE TRENCH DRAWINGS (DRG. NO.: CI/ENGG/STD/CT/01 TO 05)

REV	DESCRIPTION	CDE (ENGG-CIVIL)	AGM (ENGG-CIVIL)	AGM (ENGG-SS)	GM (ENGG-SS)	APVD. BY GM (ENGG-CIVIL)	DATE	DRG. NO. CI/ENGG/STD/2016/RCT/01 (Sheet 04 of 04)
00	CABLE TRENCH SECTION 2A-2A INTRODUCED AND CABLE TRENCH CROSSING SECTIONS MODIFIED						16/1/16	

RELEASED FOR TENDER/CONSTRUCTION
POWER GRID CORPORATION OF INDIA LIMITED
 (A Government of India Enterprise)



PROJECT: STANDARD CABLE TRENCH FOR SUBSTATION SWITCH YARD
 TITLE: DETAILS OF CABLE TRENCHES AND CABLE TRENCH ROAD CROSSING
 SCALE: NTS